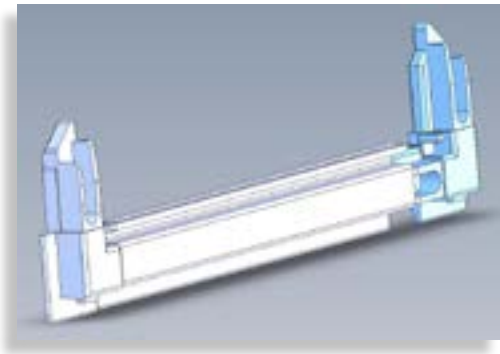


## Rollformed Window Screen Frame with Lip (Interior/Exterior Application)

Give your customers the quality, ease of installation and distinctive look they desire.



- Standard colors available - White, Adobe, Beige, Bronze
- .018 gauge aluminum

### Features / Benefits:

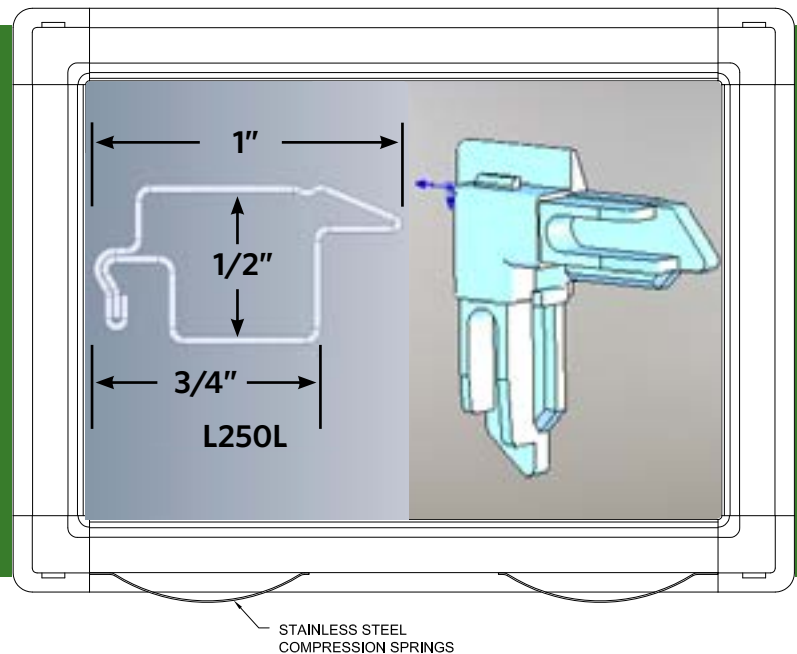
**Ease of fabrication** - No fasteners through the frame; just cut the stiles and rails to length, insert cornerlocks and install cloth.

**Unique contemporary frame design**

**Provides additional strength**

**Customers will love the ease of installation** - simply push into place - no pins, no pulls, no visible hardware to obstruct viewing area.

**Durable re-engineered corner lock** - can be relied upon to stay in place.



Contact Quanex Building Products: 815-635-3171 or visit [www.quanex.com](http://www.quanex.com) to learn more about our Engineered Components.